

Motor Einstellwerkzeugsatz

für VAG 1.6l und 2.0l TDI Common-Rail Motoren ab 2012

- Zum Arretieren der Nocken- und Kurbelwelle
- Zum Wechseln des Zahnriemens oder bei Motorreparaturen

Geeignet für:

- VW Golf VII, SV Sportvan, Polo
- Audi A3, A4, A5, A6, Q5, TT
- Skoda Octavia III
- Seat Leon

Mit Motorcode: CRKB, CRLB, CRLC, CUNA, CLHA, CRBC, CRBD, CRFA, CRFC, CNHC, CSUA, CSUB, CLHB, CKFC, CRMB, CRVA, CRVC, CLHA, CRKA, CKFC, CRLB, CUSA, CUSB, CUTA, CKFB, CUPA

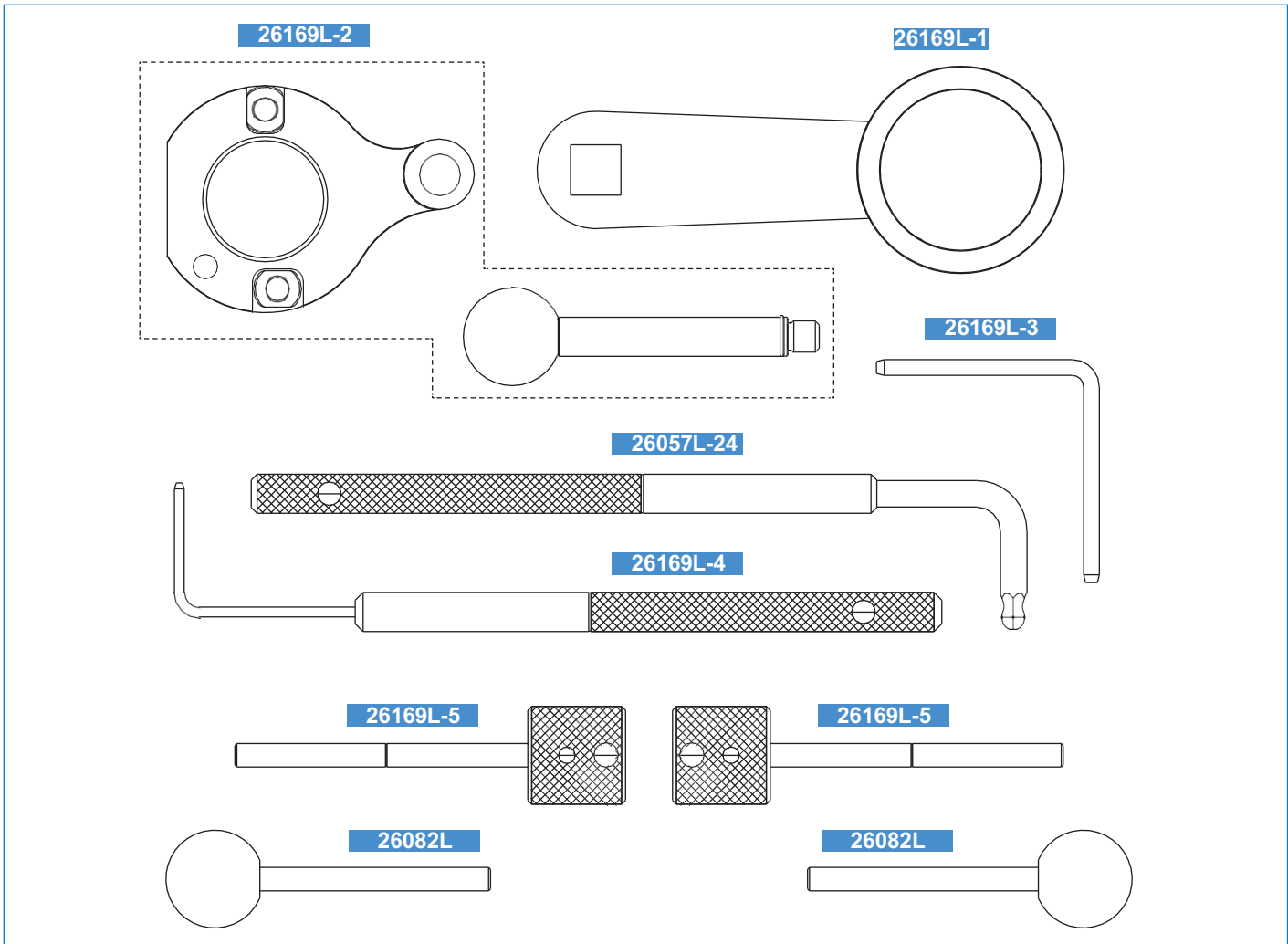


www.swstahl.de



SW STAHL
PROFI TOOLS

26169L



SW-Stahl	OE-Nummer	Beschreibung
26169L-1	T10051	Gegenhalter für Riemenrad der Hochdruckpumpe
26169L-2	T10490	Kurbelwellenfixierung
26169L-3	T10060A	Fixierdorn Spannelement Keilrippenriemen
26169L-4	T10265	Spannrollenfixierung Ø 2,5 mm
26169L-5	T10492	2 x Absteckdorne Hochdruckpumpe, Nockenwelle
26057L-24	T10264	Spannrollenschlüssel 6 mm Innensechskant
26082L	3359	2 x Arretierdorne Nockenwelle

www.swstahl.de

Vorsichtsmaßnahmen

- Klemmen Sie das Batteriekabel vom Minuspol der Batterie ab.
- Entfernen Sie die Glühkerzen, um die Drehung des Motors zu vereinfachen.
- Achten Sie darauf, dass keine Flüssigkeiten auf die Zahn- Keilriemen, den Zahnradern oder Spannrollen laufen.
- Drehen Sie die Kurbelwelle im Uhrzeigersinn.
- Benutzen Sie nicht das Arretierwerkzeug, um die Nocken- und Kurbelwellenschrauben zu lösen oder befestigen.
- Es ist immer ratsam den Motor langsam von Hand zu drehen und erneut die Stellung der Kurbelwelle und der Nockenwelle zu überprüfen.
- Die Nockenwelle und Kurbelwelle sollte nur dann gedreht werden, wenn der Zahnriemen wieder montiert ist.
- Überprüfen Sie die korrekte Stellung der Dieselhockdruckpumpe nachdem Sie den Zahnriemen ersetzt haben.
- Beachten Sie alle Anzugsdrehmomente des Fahrzeugherstellers.
- Halten Sie sich immer an die Reparaturanleitung des Fahrzeugherstellers.
- Eine nicht genaue oder falsche Einstellung des Zahnriemens führt zur Beschädigung des Motors.

Marke	Modelle	Motoren	Motorcode	kW	Jahr
AUDI	A3 Cabrio	1.6TDI CR	CRKB	81 (110)	2014 - 2015
		1.6TDI CR	CRKB	81 (110)	2014 - 2015
		2.0TDI CR	CRLB	110 (150)	2013 - 2015
		2.0TDI CR	CRLB	110 (150)	2013 - 2015
		2.0TDI CR	CRLC	100 (136)	2014 - 2015
		2.0TDI CR	CUNA	135 (184)	2014 - 2015
		2.0TDI CR	CUNA	135 (184)	2014 - 2015
		2.0TDI CR	CRLB	110 (150)	2014 - 2015
		2.0TDI CR	CRLB	110 (150)	2014 - 2015
	A3 Saloon	1.6TDI CR	CLHA	77 (105)	2013 - 2015
		1.6TDI CR	CRKB	81 (110)	2014 - 2015
		1.6TDI CR	CRKB	81 (110)	2014 - 2015
		2.0TDI CR	CRBC	110 (150)	2013 - 2015
		2.0TDI CR	CRBD	100 (136)	2013 - 2015
		2.0TDI CR	CRFA	81 (110)	2013 - 2015
		2.0TDI CR	CRFC	105 (143)	2013 - 2015
		2.0TDI CR	CRLB	110 (150)	2013 - 2015
		2.0TDI CR	CRLB	110 (150)	2013 - 2015
		2.0TDI CR	CUNA	135 (184)	2014 - 2015
		2.0TDI CR	CUNA	135 (184)	2014 - 2015
	A3 Sedan	2.0TDI CR	CRBC	110 (150)	2014 - 2015
	A3/A3 Sportback	1.6TDI CR	CLHA	77 (105)	2012 - 2015
		1.6TDI CR	CRKB	81 (110)	2013 - 2015
		1.6TDI CR	CRKB	81 (110)	2013 - 2015
		2.0TDI CR	CRBC	110 (150)	2012 - 2015
		2.0TDI CR	CRBD	100 (136)	2013 - 2015
		2.0TDI CR	CRFA	81 (110)	2012 - 2015
		2.0TDI CR	CRFC	105 (143)	2012 - 2015
		2.0TDI CR	CRLB	110 (150)	2012 - 2015
		2.0TDI CR	CRLB	110 (150)	2012 - 2015
		2.0TDI CR	CUNA	135 (184)	2012 - 2015
		2.0TDI CR	CUNA	135 (184)	2012 - 2015
		1.6TDI CR	CLHA	77 (105)	2013 - 2015
		2.0TDI CR	CRBC	110 (150)	2013 - 2015
	A4	2.0TDI CR Ultra	CNHA	140 (190)	2013 - 2015
		2.0TDI CR Ultra	CNHA	140 (190)	2013 - 2015
		2.0TDI CR Ultra	CNHC	120 (163)	2013 - 2015
		2.0TDI CR Ultra	CNHC	120 (163)	2013 - 2015
		2.0TDI CR Ultra	CSUA	110 (150)	2014 - 2015
		2.0TDI CR Ultra	CSUA	110 (150)	2014 - 2015
		2.0TDI CR Ultra	CSUB	100 (136)	2014 - 2015
		2.0TDI CR Ultra	CSUB	100 (136)	2014 - 2015
	A4 allroad	2.0TDI CR Ultra	CNHA	140 (190)	2013 - 2015
		2.0TDI CR Ultra	CNHA	140 (190)	2013 - 2015
		2.0TDI CR Ultra	CNHC	120 (163)	2013 - 2015
		2.0TDI CR Ultra	CNHC	120 (163)	2013 - 2015
	A4 quattro	2.0TDI CR Ultra	CNHA	140 (190)	2013 - 2015

Marke	Modelle	Motoren	Motorcode	kW	Jahr
AUDI	A4 quattro	2.0TDI CR Ultra	CNHA	140 (190)	2013 - 2015
		2.0TDI CR Ultra	CNHC	120 (163)	2013 - 2015
		2.0TDI CR Ultra	CNHC	120 (163)	2013 - 2015
		2.0TDI CR Ultra	CSUA	110 (150)	2014 - 2015
		2.0TDI CR Ultra	CSUA	110 (150)	2014 - 2015
	A5 Coupe/ Cabriolet	2.0TDI CR	CNHA	140 (190)	2013 - 2015
		2.0TDI CR	CNHA	140 (190)	2013 - 2015
		2.0TDI CR	CNHC	120 (163)	2013 - 2015
		2.0TDI CR	CNHC	120 (163)	2013 - 2015
		2.0TDI CR	CSUA	110 (150)	2014 - 2015
		2.0TDI CR	CSUA	110 (150)	2014 - 2015
	A5 Sportback	2.0TDI CR	CNHA	140 (190)	2013 - 2015
		2.0TDI CR	CNHA	140 (190)	2013 - 2015
		2.0TDI CR	CNHC	120 (163)	2013 - 2015
		2.0TDI CR	CNHC	120 (163)	2013 - 2015
		2.0TDI CR	CSUA	110 (150)	2014 - 2015
		2.0TDI CR	CSUA	110 (150)	2014 - 2015
		2.0TDI CR	CSUB	100 (136)	2014 - 2015
		2.0TDI CR	CSUB	100 (136)	2014 - 2015
	A6	2.0TDI CR	CNHA	140 (190)	2013 - 2014
		2.0TDI CR	CNHA	140 (190)	2013 - 2014
		2.0TDI CR	CNHC	120 (163)	2013 - 2014
	Q5	2.0TDI CR	CNHA	140 (190)	2013 - 2015
		2.0TDI CR	CNHA	140 (190)	2013 - 2015
		2.0TDI CR	CNHC	120 (163)	2013 - 2015
		2.0TDI CR	CNHC	120 (163)	2013 - 2015
	TT	2.0TDI CR	CUNA	135 (184)	2014 - 2015

SEAT	Leon	1.6TDI CR	CLHA	77 (105)	2012 - 2015
		1.6TDI CR	CLHB	66 (90)	2012 - 2015
		1.6TDI CR Ecomotive	CRKB	81 (110)	2013 - 2015
		1.6TDI CR Ecomotive	CRKB	81 (110)	2013 - 2015
		2.0TDI CR	CKFB	105 (143)	2012 - 2013
		2.0TDI CR	CKFC	110 (150)	2012 - 2015
		2.0TDI CR	CRMB	110 (150)	2014 - 2015
		2.0TDI CR	CRMB	110 (150)	2014 - 2015
		2.0TDI CR	CRVA	81 (110)	2013 - 2014
		2.0TDI CR	CRVC	105 (143)	2013 - 2014
		2.0TDI CR	CUNA	135 (184)	2013 - 2015
		2.0TDI CR	CUNA	135 (184)	2013 - 2015
		2.0TDI CR	CUPA	135 (184)	2012 - 2015
		Leon ST	1.6TDI CR	CLHA	77 (105)
	1.6TDI CR		CLHB	66 (90)	2013 - 2015
	1.6TDI CR Ecomotive		CRKB	81 (110)	2013 - 2015
	1.6TDI CR Ecomotive		CRKB	81 (110)	2013 - 2015
	2.0TDI CR		CKFC	110 (150)	2013 - 2015

Marke	Modelle	Motoren	Motorcode	kW	Jahr
SEAT	Leon ST	2.0TDI CR	CRBC	110 (150)	2013 - 2015
		2.0TDI CR	CRLB	110 (150)	2013 - 2015
		2.0TDI CR	CRLB	110 (150)	2013 - 2015
		2.0TDI CR	CRMB	110 (150)	2014 - 2015
		2.0TDI CR	CRMB	110 (150)	2014 - 2015
		2.0TDI CR	CRVA	81 (110)	2013 - 2014
		2.0TDI CR	CRVC	105 (143)	2013 - 2014
		2.0TDI CR	CUNA	135 (184)	2013 - 2015
		2.0TDI CR	CUNA	135 (184)	2013 - 2015
		2.0TDI CR	CUPA	135 (184)	2013 - 2015
VW	Golf SV/Sportsvan	1.6TDI CR	CRKA	66 (90)	2014 - 2015
		1.6TDI CR	CRKB	81 (110)	2014 - 2015
		2.0TDI CR	CRLB	110 (150)	2014 - 2015
		2.0TDI CR	CRVA	81 (110)	2014 - 2015
	Golf VII	1.6TDI CR	CLHA	77 (105)	2012 - 2015
		1.6TDI CR	CLHB	66 (90)	2012 - 2015
		1.6TDI CR	CRKA	66 (90)	2014 - 2015
		1.6TDI CR BlueMotion	CRKB	81 (110)	2013 - 2015
		2.0TDI CR	CKFC	110 (150)	2012 - 2015
		2.0TDI CR	CRMB	110 (150)	2012 - 2015
		2.0GTD CR	CUNA	135 (184)	2013 - 2015
		2.0TDI CR	CRBC	110 (150)	2012 - 2015
		2.0TDI CR	CRLB	110 (150)	2012 - 2015
		2.0TDI CR	CRBC	110 (150)	2013 - 2015
	Golf VII Estate	1.6TDI CR BlueMotion	CRKB	81 (110)	2013 - 2015
		1.6TDI CR BlueMotion Technology	CLHA	77 (105)	2013 - 2015
		1.6TDI CR BlueMotion Technology	CLHB	66 (90)	2013 - 2015
		2.0TDI CR	CKFC	110 (150)	2013 - 2015
		2.0TDI CR	CRLB	110 (150)	2013 - 2015
		2.0TDI CR	CRMB	110 (150)	2013 - 2015
		2.0TDI CR BlueMotion Technology	CRBC	110 (150)	2013 - 2015
	Golf VII Wagon	2.0TDI CR	CRBC	110 (150)	2014 - 2015
	Polo	1.4TDI CR	CUSA	55 (75)	2014 - 2015
		1.4TDI CR	CUSB	66 (90)	2014 - 2015
		1.4TDI CR	CUTA	77 (105)	2014 - 2015
		1.6TDI CR	CLHA	77 (105)	2013 - 2015
		1.6TDI CR	CLHB	66 (90)	2013 - 2015

www.swstahl.de

SKODA SKODA	Octavia III	1.6TDI CR GreenLine	CRKB	81 (110)	2013 - 2015
		1.6TDI CR GreenLine	CRKB	81 (110)	2013 - 2015
		2.0RS TDI CR	CUPA	135 (184)	2014 - 2015
		2.0TDI CR	CKFB	105 (143)	2013 - 2015
	Octavia III	2.0TDI CR	CKFC	110 (150)	2013 - 2015
		2.0TDI CR	CKFC	110 (150)	2013 - 2015
		2.0TDI CR	CRVC	105 (143)	2013 - 2014
		2.0vRS TDI CR	CUPA	135 (184)	2013 - 2015

Engine adjustment tool set

for VAG 1.6l and 2.0l TDI Common-Rail engines since 2012

- For stopping the cam shaft and crankshaft
- For exchanging the toothed belt or in the case of engine repairs

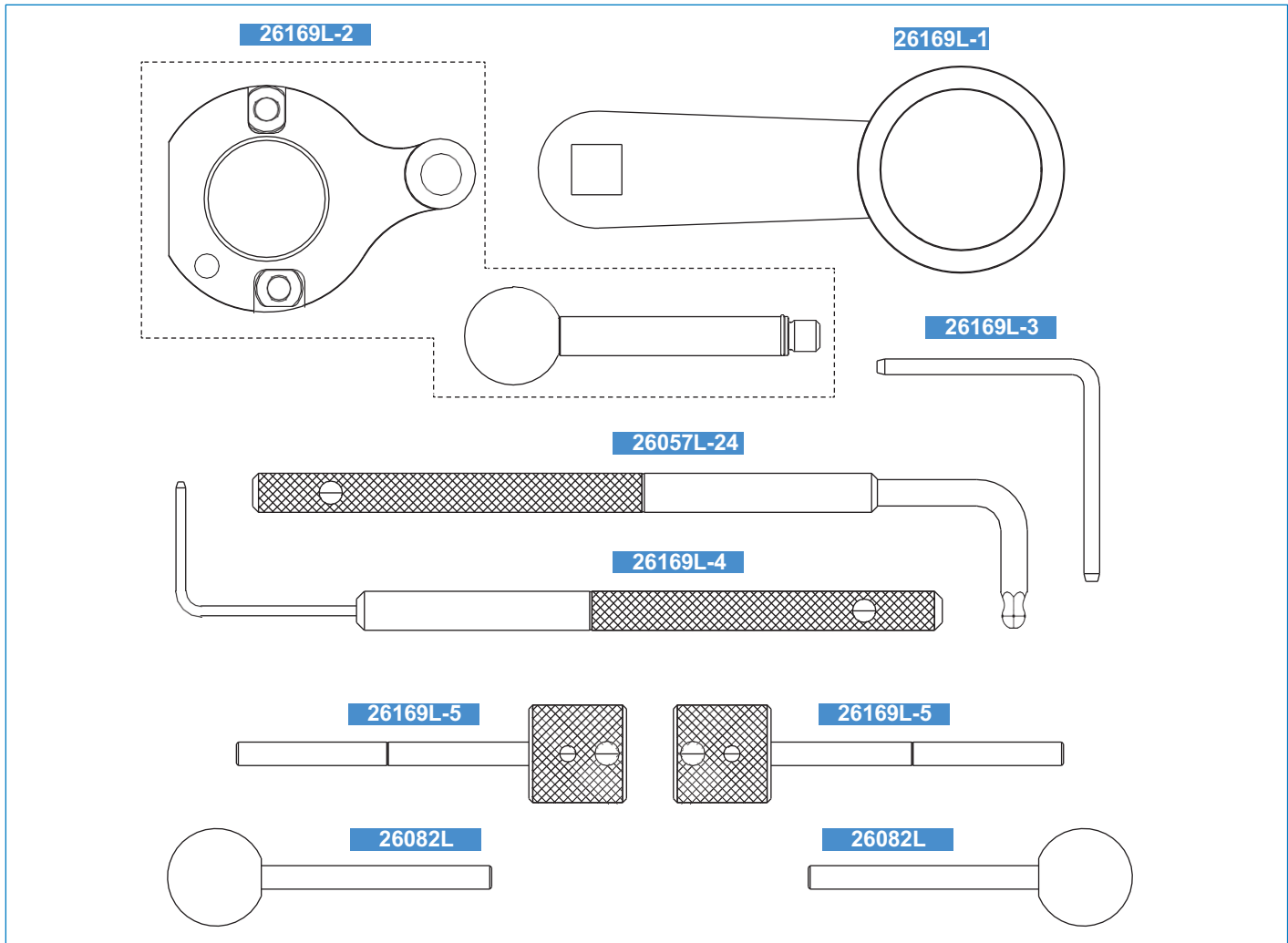
Suitable for:

- VW Golf VII, SV Sportvan, Polo
- Audi A3, A4, A5, A6, Q5, TT
- Skoda Octavia III
- Seat Leon

With engine codes: CRKB, CRLB, CRLC, CUNA, CLHA, CRBC, CRBD, CRFA, CRFC, CNHC, CSUA, CSUB, CLHB, CKFC, CRMB, CRVA, CRVC, CLHA, CRKA, CKFC, CRLB, CUSA, CUSB, CUTA, CKFB, CUPA



www.swstahl.de



SW-Stahl	OEM-Code	Description
26169L-1	T10051	Counterholder high pressure pump gear
26169L-2	T10490	Crankshaft fixing
26169L-3	T10060A	Fixing mandrel clamping element
26169L-4	T10265	Tension roller fixing Ø 2,5 mm
26169L-5	T10492	2 x Setting mandrel for high pressure pump and camshaft
26057L-24	T10264	Tensioning roller key 6 mm hexagon socket
26082L	3359	2 x Locking mandrel injection pump gear

www.swstahl.de

Safety Precautions

- Disconnect the battery earth leads (check radio code is available)
- Remove spark or glow plugs to make the engine turn easier
- Do not use cleaning fluids on belts, sprockets or rollers
- Always make a note of the route of the auxiliary drive belt before removal
- Turn the engine in the normal direction (clockwise unless stated otherwise)
- Do not turn the camshaft, crankshaft or diesel injection pump once the timing chain has been removed (unless specifically stated)
- Do not use the timing chain to lock the engine when slackening or tightening crankshaft pulley bolts
- Do not turn the crankshaft or camshaft when the timing belt/chain has been removed
- Mark the direction of the chain before removing
- It is always recommended to turn the engine slowly, by hand and to re-check the camshaft and crankshaft timing positions.
- Crankshafts and Camshafts may only be turned with the chain drive mechanism fully installed.
- Do not turn crankshaft via camshaft or other gears
- Check the diesel injection pump timing after replacing the chain
- Observe all tightening torques
- Always refer to the vehicle manufacturer's service manual or a suitable proprietary instruction book
- Incorrect or out of phase engine timing can result in damage to the valves
- It is always recommended to turn the engine slowly, by hand, and to re-check the camshaft and crankshaft timing positions

Marke	Modelle	Motoren	Motorcode	kW	Jahr
AUDI	A3 Cabrio	1.6TDI CR	CRKB	81 (110)	2014 - 2015
		1.6TDI CR	CRKB	81 (110)	2014 - 2015
		2.0TDI CR	CRLB	110 (150)	2013 - 2015
		2.0TDI CR	CRLB	110 (150)	2013 - 2015
		2.0TDI CR	CRLC	100 (136)	2014 - 2015
		2.0TDI CR	CUNA	135 (184)	2014 - 2015
		2.0TDI CR	CUNA	135 (184)	2014 - 2015
		2.0TDI CR	CRLB	110 (150)	2014 - 2015
		2.0TDI CR	CRLB	110 (150)	2014 - 2015
	A3 Saloon	1.6TDI CR	CLHA	77 (105)	2013 - 2015
		1.6TDI CR	CRKB	81 (110)	2014 - 2015
		1.6TDI CR	CRKB	81 (110)	2014 - 2015
		2.0TDI CR	CRBC	110 (150)	2013 - 2015
		2.0TDI CR	CRBD	100 (136)	2013 - 2015
		2.0TDI CR	CRFA	81 (110)	2013 - 2015
		2.0TDI CR	CRFC	105 (143)	2013 - 2015
		2.0TDI CR	CRLB	110 (150)	2013 - 2015
		2.0TDI CR	CRLB	110 (150)	2013 - 2015
		2.0TDI CR	CUNA	135 (184)	2014 - 2015
		2.0TDI CR	CUNA	135 (184)	2014 - 2015
	A3 Sedan	2.0TDI CR	CRBC	110 (150)	2014 - 2015
	A3/A3 Sportback	1.6TDI CR	CLHA	77 (105)	2012 - 2015
		1.6TDI CR	CRKB	81 (110)	2013 - 2015
		1.6TDI CR	CRKB	81 (110)	2013 - 2015
		2.0TDI CR	CRBC	110 (150)	2012 - 2015
		2.0TDI CR	CRBD	100 (136)	2013 - 2015
		2.0TDI CR	CRFA	81 (110)	2012 - 2015
		2.0TDI CR	CRFC	105 (143)	2012 - 2015
		2.0TDI CR	CRLB	110 (150)	2012 - 2015
		2.0TDI CR	CRLB	110 (150)	2012 - 2015
		2.0TDI CR	CUNA	135 (184)	2012 - 2015
		2.0TDI CR	CUNA	135 (184)	2012 - 2015
	A4	2.0TDI CR Ultra	CNHA	140 (190)	2013 - 2015
		2.0TDI CR Ultra	CNHA	140 (190)	2013 - 2015
		2.0TDI CR Ultra	CNHC	120 (163)	2013 - 2015
		2.0TDI CR Ultra	CNHC	120 (163)	2013 - 2015
		2.0TDI CR Ultra	CSUA	110 (150)	2014 - 2015
		2.0TDI CR Ultra	CSUA	110 (150)	2014 - 2015
		2.0TDI CR Ultra	CSUB	100 (136)	2014 - 2015
		2.0TDI CR Ultra	CSUB	100 (136)	2014 - 2015
	A4 allroad	2.0TDI CR Ultra	CNHA	140 (190)	2013 - 2015
		2.0TDI CR Ultra	CNHA	140 (190)	2013 - 2015
		2.0TDI CR Ultra	CNHC	120 (163)	2013 - 2015
		2.0TDI CR Ultra	CNHC	120 (163)	2013 - 2015
	A4 quattro	2.0TDI CR Ultra	CNHA	140 (190)	2013 - 2015

Marke	Modelle	Motoren	Motorcode	kW	Jahr
AUDI	A4 quattro	2.0TDI CR Ultra	CNHA	140 (190)	2013 - 2015
		2.0TDI CR Ultra	CNHC	120 (163)	2013 - 2015
		2.0TDI CR Ultra	CNHC	120 (163)	2013 - 2015
		2.0TDI CR Ultra	CSUA	110 (150)	2014 - 2015
		2.0TDI CR Ultra	CSUA	110 (150)	2014 - 2015
	A5 Coupe/ Cabriolet	2.0TDI CR	CNHA	140 (190)	2013 - 2015
		2.0TDI CR	CNHA	140 (190)	2013 - 2015
		2.0TDI CR	CNHC	120 (163)	2013 - 2015
		2.0TDI CR	CNHC	120 (163)	2013 - 2015
		2.0TDI CR	CSUA	110 (150)	2014 - 2015
		2.0TDI CR	CSUA	110 (150)	2014 - 2015
	A5 Sportback	2.0TDI CR	CNHA	140 (190)	2013 - 2015
		2.0TDI CR	CNHA	140 (190)	2013 - 2015
		2.0TDI CR	CNHC	120 (163)	2013 - 2015
		2.0TDI CR	CNHC	120 (163)	2013 - 2015
		2.0TDI CR	CSUA	110 (150)	2014 - 2015
		2.0TDI CR	CSUA	110 (150)	2014 - 2015
		2.0TDI CR	CSUB	100 (136)	2014 - 2015
		2.0TDI CR	CSUB	100 (136)	2014 - 2015
	A6	2.0TDI CR	CNHA	140 (190)	2013 - 2014
		2.0TDI CR	CNHA	140 (190)	2013 - 2014
		2.0TDI CR	CNHC	120 (163)	2013 - 2014
	Q5	2.0TDI CR	CNHA	140 (190)	2013 - 2015
2.0TDI CR		CNHA	140 (190)	2013 - 2015	
2.0TDI CR		CNHC	120 (163)	2013 - 2015	
2.0TDI CR		CNHC	120 (163)	2013 - 2015	
TT	2.0TDI CR	CUNA	135 (184)	2014 -	

www.swstahl.de

SEAT	Leon	1.6TDI CR	CLHA	77 (105)	2012 - 2015
		1.6TDI CR	CLHB	66 (90)	2012 - 2015
		1.6TDI CR Ecomotive	CRKB	81 (110)	2013 - 2015
		1.6TDI CR Ecomotive	CRKB	81 (110)	2013 - 2015
		2.0TDI CR	CKFB	105 (143)	2012 - 2013
		2.0TDI CR	CKFC	110 (150)	2012 - 2015
		2.0TDI CR	CRMB	110 (150)	2014 - 2015
		2.0TDI CR	CRMB	110 (150)	2014 - 2015
		2.0TDI CR	CRVA	81 (110)	2013 - 2014
		2.0TDI CR	CRVC	105 (143)	2013 - 2014
		2.0TDI CR	CUNA	135 (184)	2013 - 2015
		2.0TDI CR	CUNA	135 (184)	2013 - 2015
		2.0TDI CR	CUPA	135 (184)	2012 - 2015
	Leon ST	1.6TDI CR	CLHA	77 (105)	2013 - 2015
		1.6TDI CR	CLHB	66 (90)	2013 - 2015
		1.6TDI CR Ecomotive	CRKB	81 (110)	2013 - 2015
		1.6TDI CR Ecomotive	CRKB	81 (110)	2013 - 2015
		2.0TDI CR	CKFC	110 (150)	2013 - 2015

Marke	Modelle	Motoren	Motorcode	kW	Jahr
SEAT	Leon ST	2.0TDI CR	CRBC	110 (150)	2013 - 2015
		2.0TDI CR	CRLB	110 (150)	2013 - 2015
		2.0TDI CR	CRLB	110 (150)	2013 - 2015
		2.0TDI CR	CRMB	110 (150)	2014 - 2015
		2.0TDI CR	CRMB	110 (150)	2014 - 2015
		2.0TDI CR	CRVA	81 (110)	2013 - 2014
		2.0TDI CR	CRVC	105 (143)	2013 - 2014
		2.0TDI CR	CUNA	135 (184)	2013 - 2015
		2.0TDI CR	CUNA	135 (184)	2013 - 2015
		2.0TDI CR	CUPA	135 (184)	2013 - 2015
VW	Golf SV/Sportsvan	1.6TDI CR	CRKA	66 (90)	2014 - 2015
		1.6TDI CR	CRKB	81 (110)	2014 - 2015
		2.0TDI CR	CRLB	110 (150)	2014 - 2015
		2.0TDI CR	CRVA	81 (110)	2014 - 2015
	Golf VII	1.6TDI CR	CLHA	77 (105)	2012 - 2015
		1.6TDI CR	CLHB	66 (90)	2012 - 2015
		1.6TDI CR	CRKA	66 (90)	2014 - 2015
		1.6TDI CR BlueMotion	CRKB	81 (110)	2013 - 2015
		2.0TDI CR	CKFC	110 (150)	2012 - 2015
		2.0TDI CR	CRMB	110 (150)	2012 - 2015
		2.0GTD CR	CUNA	135 (184)	2013 - 2015
		2.0TDI CR	CRBC	110 (150)	2012 - 2015
		2.0TDI CR	CRLB	110 (150)	2012 - 2015
		2.0TDI CR	CRBC	110 (150)	2013 - 2015
		2.0TDI CR	CRLB	110 (150)	2013 - 2015
	Golf VII Estate	1.6TDI CR BlueMotion	CRKB	81 (110)	2013 - 2015
		1.6TDI CR BlueMotion Technology	CLHA	77 (105)	2013 - 2015
		1.6TDI CR BlueMotion Technology	CLHB	66 (90)	2013 - 2015
		2.0TDI CR	CKFC	110 (150)	2013 - 2015
		2.0TDI CR	CRLB	110 (150)	2013 - 2015
		2.0TDI CR	CRMB	110 (150)	2013 - 2015
		2.0TDI CR BlueMotion Technology	CRBC	110 (150)	2013 - 2015
	Golf VII Wagon	2.0TDI CR	CRBC	110 (150)	2014 - 2015
	Polo	1.4TDI CR	CUSA	55 (75)	2014 - 2015
		1.4TDI CR	CUSB	66 (90)	2014 - 2015
		1.4TDI CR	CUTA	77 (105)	2014 - 2015
			1.6TDI CR	CLHA	77 (105)
1.6TDI CR			CLHB	66 (90)	2013 - 2015

www.swstahl.de

SKODA SKODA	Octavia III	1.6TDI CR GreenLine	CRKB	81 (110)	2013 - 2015
		1.6TDI CR GreenLine	CRKB	81 (110)	2013 - 2015
		2.0RS TDI CR	CUPA	135 (184)	2014 - 2015
		2.0TDI CR	CKFB	105 (143)	2013 - 2015
	Octavia III	2.0TDI CR	CKFC	110 (150)	2013 - 2015
		2.0TDI CR	CKFC	110 (150)	2013 - 2015
		2.0TDI CR	CRVC	105 (143)	2013 - 2014
		2.0vRS TDI CR	CUPA	135 (184)	2013 - 2015



SW-Stahl GmbH

An der Hasenjagd 3
D-42897 Remscheid
Tel. +49 (0) 2191 / 46438-0
Fax +49 (0) 2191 / 46438-40
E-Mail: info@swstahl.de

www.swstahl.de